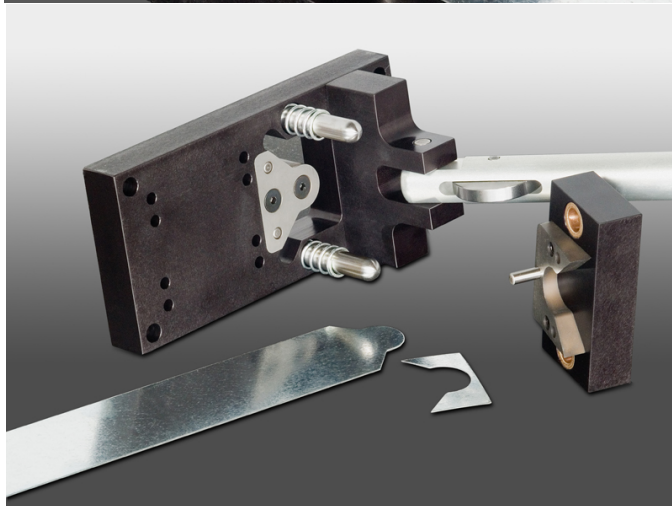
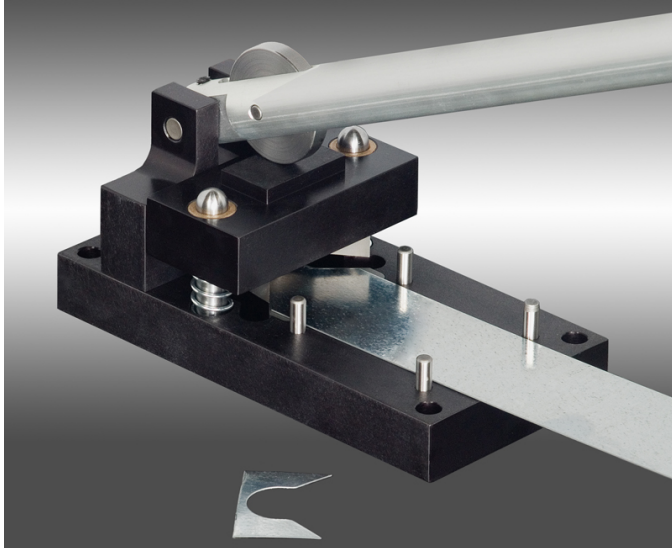


## RAMS- 2001 DRIVE CLEAT NOTCHER



Dealer:  
Address:  
City:  
State/Zip:  
Phone:



### Specifications

**CAPACITY:** 20 GA. MILD STEEL

**DIMENSIONS:**  
8"L X 4"W X 11"H

**APPROXIMATE WEIGHT:** 20 LBS.

Notch drive cleats before or after they are formed. Mounts readily to a bench. Easy spring-loaded push handle. Easy to change hardened shear blades.