

RAMS-2005 CHEEK BENDER



Dealer:
Address:
City:
State/Zip:
Phone:

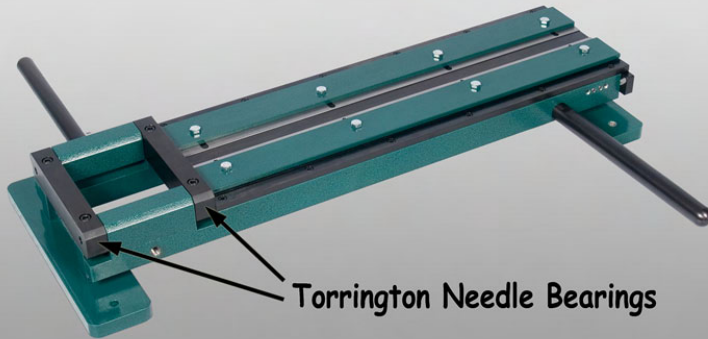
Specifications

CAPACITY: 20 GA. MILD STEEL

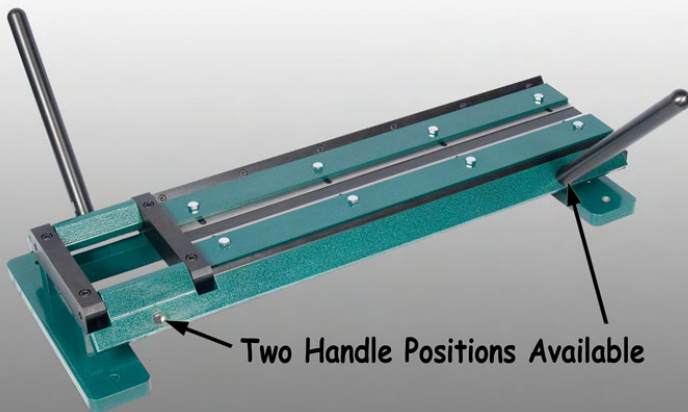
DIMENSIONS:
32"L X 12"W X 4"H

APPROXIMATE WEIGHT: 70 LBS.

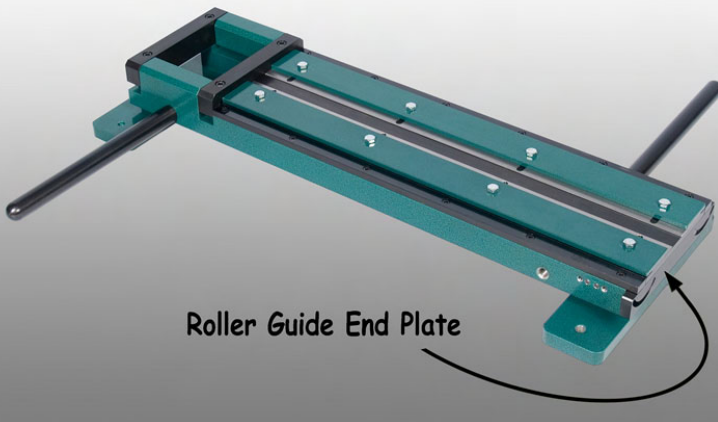
This manually operated tool forms a 1/4" to 7/8" right angle bend. It features Torrington Needle Bearings as well as a roller guided along the length of the entire piece.



Torrington Needle Bearings



Two Handle Positions Available



Roller Guide End Plate