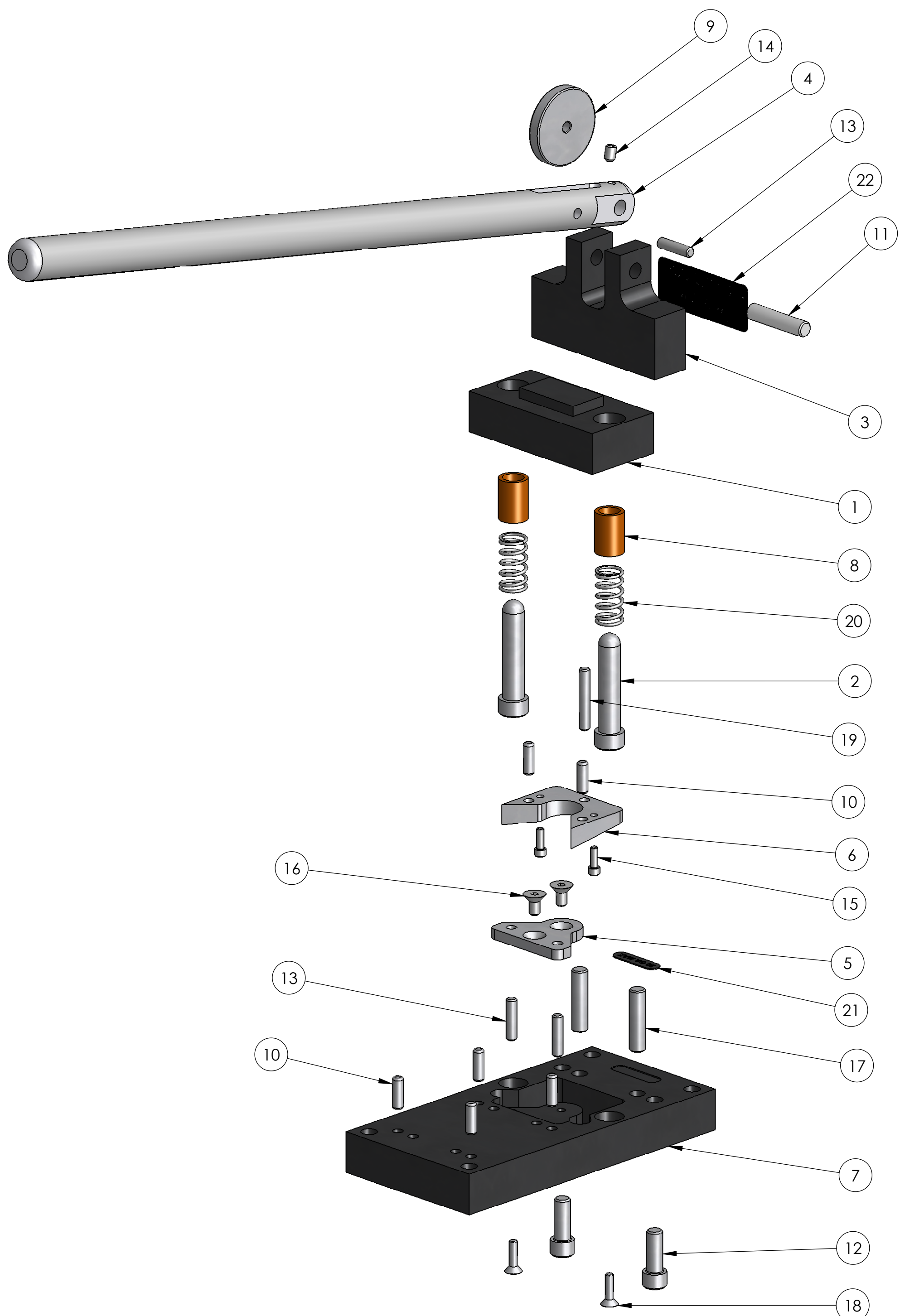


REVISIONS				
ZONE	REV.	DESCRIPTION	DATE	APPROVED
-	-	See Sheet1	-	-



RAMS 2001 DRIVE CLEAT NOTCHER

ITEM NO.	PART NUMBER	DESCRIPTION	QTY.
1	MS2001-D-01	DIE BLOCK	1
2	MS2001-D-08	GUIDE PIN	2
3	MS2001-D-02	STAMP RISER	1
4	MS2001-D-03	STAMP HANDLE	1
5	MS2001-D-04	PUNCH TOOL	1
6	MS2001-D-05	DIE INSERT	1
7	MS2001-D-06	DIE BLOCK	1
8	B812-8	OIL LITE BUSHING BRONZE	2
9	MS2001-D-11	WHEEL	1
10	MS2001-D-12	1/4" DIA X 3/4" DOWEL PIN	6
11	MS2001-D-13	3/8" X 1 3/4" DOWEL PIN	1
12	MS2001-D-15	3/8-16 X 1" LONG SOCKET HEAD CAP SCREW	2
13	MS2001-D-16	1/4" DIA X 1" LONG DOWEL PIN	3
14	MS2001-D-17	1/4-20 X 3/8" LONG SOCKET HEAD SET SCREW	1
15	MS2001-D-18	8-32 X 1/2" LONG SOCKET HEAD CAP SCREW	2
16	MS2001-D-19	1/4-20 X 1/2" LONG FLAT SOCKET HEAD CAP SCREWS	2
17	MS2001-D-20	3/8" DIA X 1 1/2" LONG DOWEL PIN	2
18	MS2001-D-21	10-32 X 3/4": FLAT HEAD SOCKET CAP SCREW	2
19	MS2001-D-22	1/4" DIA X 1 1/2" LONG DOWEL PIN	1
20	LC-067HJ-05-M (LEE SPRING)	SPRING, COMPRESSION	2
21	20 GA MAX	LABEL, 20 GA MAX	1
22	RAMS 2001	SERIAL NUMBER TAG	1

DIMENSIONS ARE IN INCHES TOLERANCES: FRACTIONAL ± 1/16 ANGULAR: MACH ± BEND ± TWO PLACE DECIMAL ±.01 THREE PLACE DECIMAL ±.005	NAME: JAS DATE: 3/15/06	HORIZON SYSTEMS MACHINING 9121 58TH PLACE KENOSHA, WI 53144 PH: 262-605-1122 FAX: 262-605-1198	
	CHECKED: SSL DATE: 12/15/08		
	ENG APPR: MFG APPR: Q.A.:		
	MATERIAL: FINISH:		
THE INFORMATION CONTAINED IN THIS DRAWING IS THE SOLE PROPERTY OF HORIZON SYSTEMS MACHINING. ANY REPRODUCTION IN PART OR AS A WHOLE WITHOUT THE WRITTEN PERMISSION OF HORIZON SYSTEMS MACHINING IS PROHIBITED.	TITLE: NOTCHER ASSEMBLY		SIZE: C
	DWG. NO.: RAMS-2001		REV: C
	DO NOT SCALE DRAWING		SCALE: 1:4