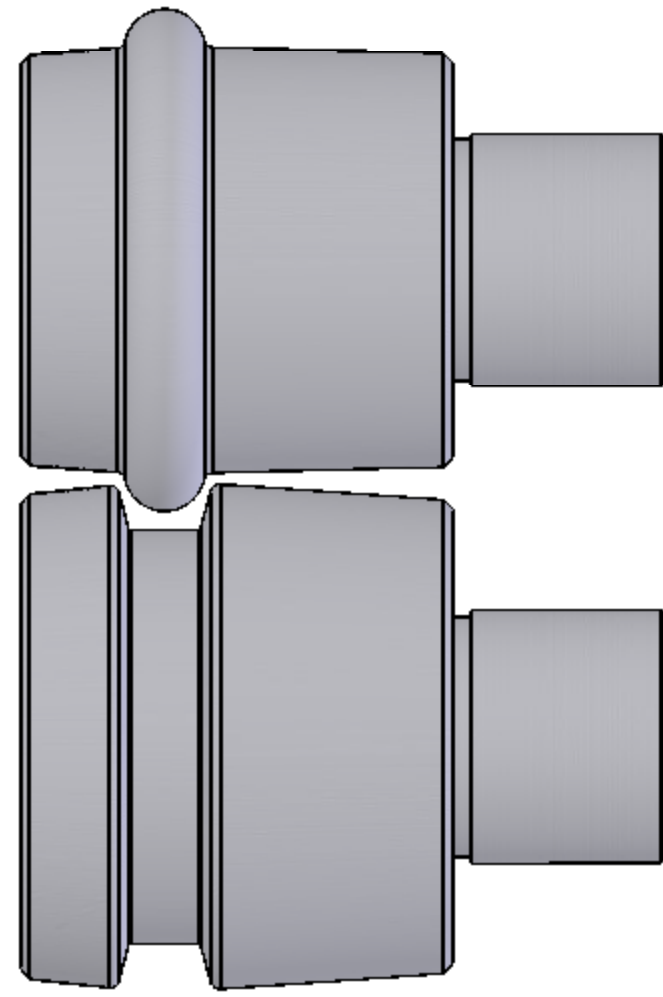
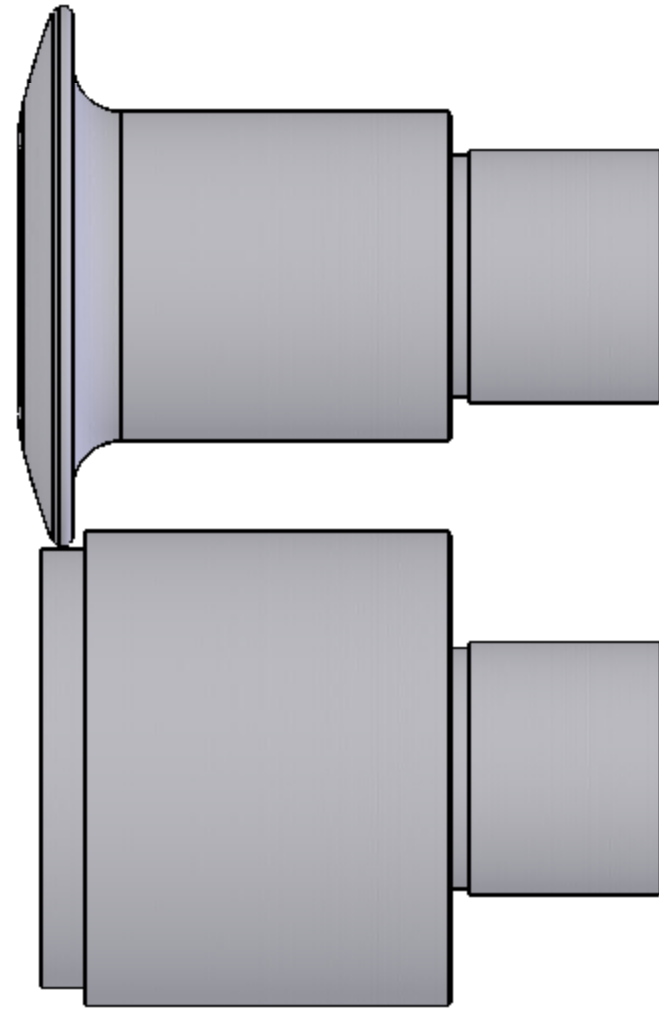


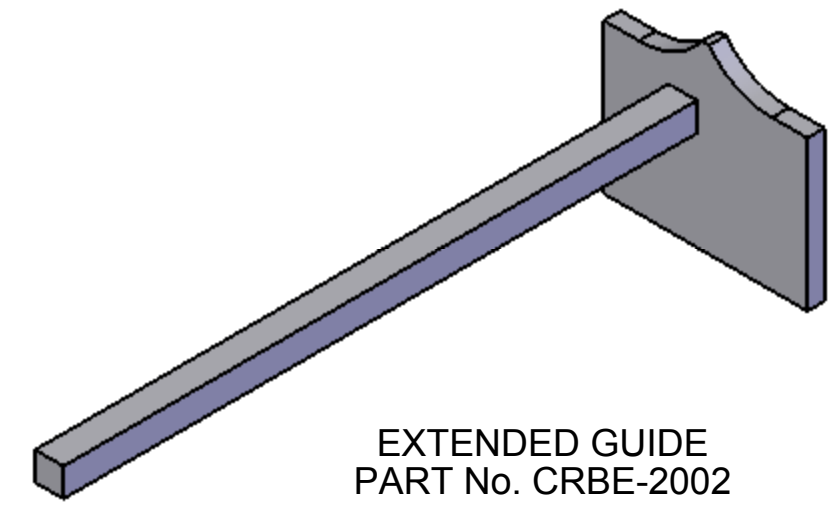
REVISIONS				
ZONE	REV.	DESCRIPTION	DATE	APPROVED
	A	INITIAL RELEASE	12/15/2008	SSL
	B	ADDED EXTENDED GUIDE CRBE-2002	2/16/2009	SSL



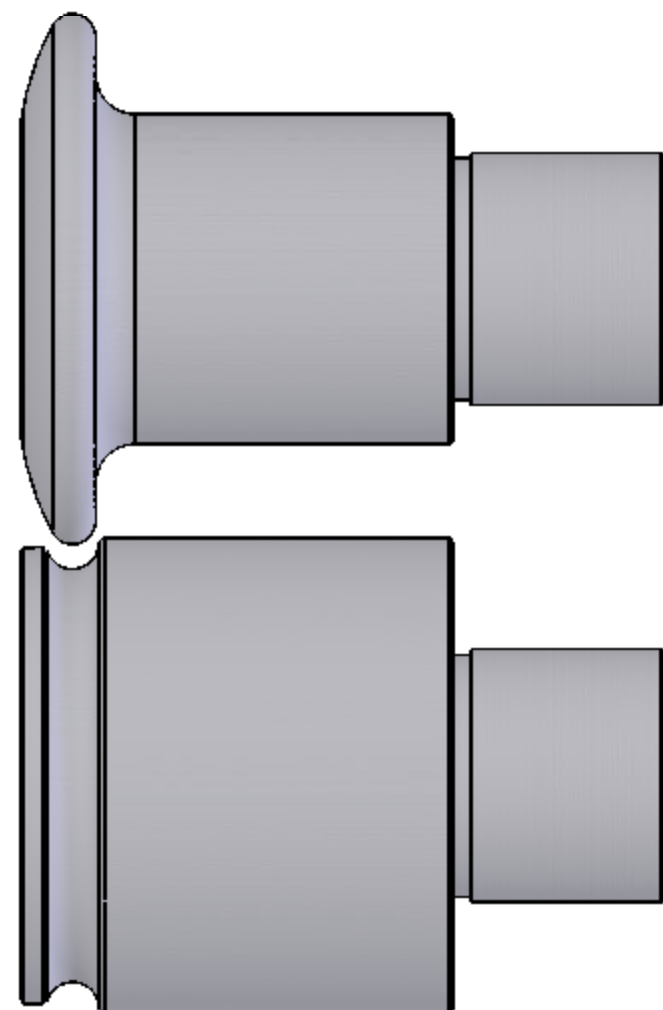
**RAMS AUX-SR  
SINGLE BEAD ROLLERS**



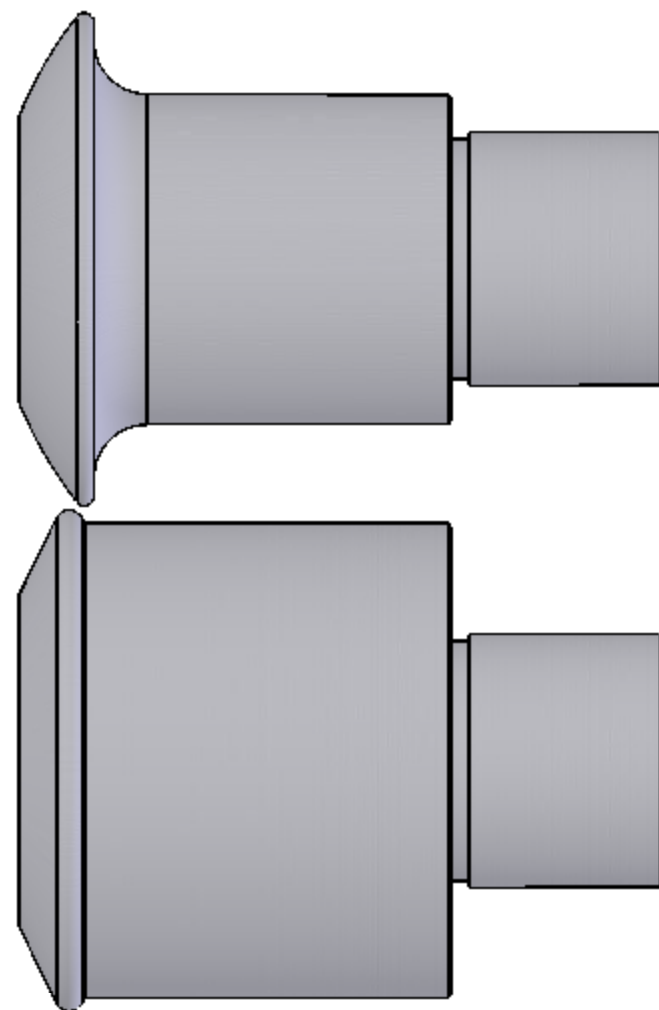
**RAMS AUX-BR  
BURRING ROLLERS**



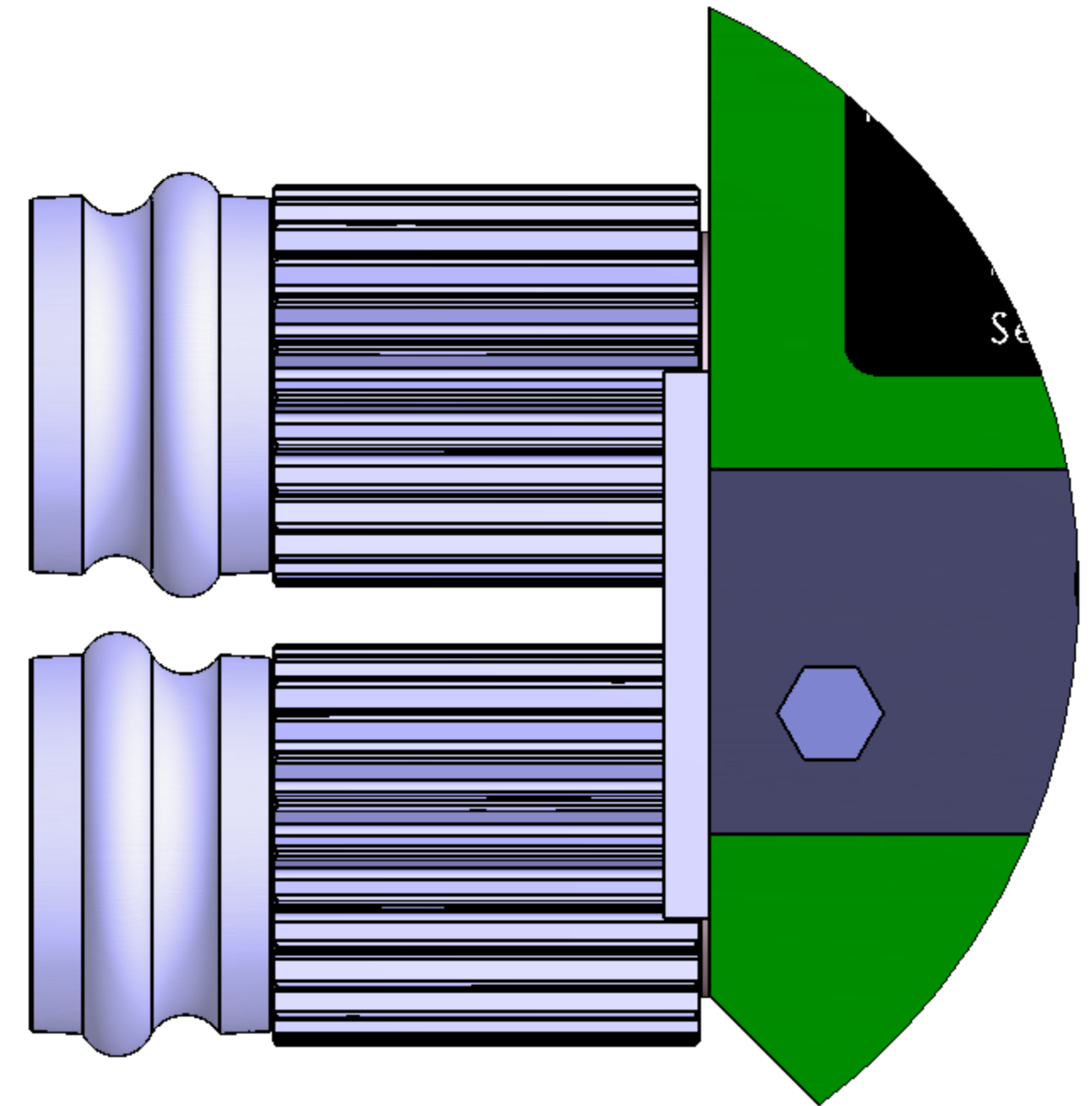
**EXTENDED GUIDE  
PART No. CRBE-2002**



**RAMS AUX-TR  
TURNING ROLLERS**



**RAMS AUX-WR  
WIRING ROLLERS**



**OGEE BEAD ROLLERS  
SUPPLIED WITH CRIMPER-BEADER**

**RAMS-2010-K CRIMPER/BEADER ROLL KIT**

DIMENSIONS ARE IN INCHES TOLERANCES: FRACTIONAL $\pm 1/16$ ANGULAR: MACH $\pm$ BEND $\pm$ TWO PLACE DECIMAL $\pm .01$ THREE PLACE DECIMAL $\pm .005$	DRAWN	SSL	12-15-08	<b>HORIZON SYSTEMS MACHINING</b>  <b>9121 58TH PLACE</b> <b>KENOSHA, WI 53144</b> <b>PH: 262-605-1122</b> <b>FAX: 262-605-1198</b>
	CHECKED	SSL	12-17-08	
	ENG APPR.			
	MFG APPR.			
	Q.A.			
THE INFORMATION CONTAINED IN THIS DRAWING IS THE SOLE PROPERTY OF HORIZON SYSTEMS MACHINING. ANY REPRODUCTION IN PART OR AS A WHOLE WITHOUT THE WRITTEN PERMISSION OF HORIZON SYSTEMS MACHINING IS PROHIBITED.	MATERIAL	TITLE: OPTIONAL FORMING ROLLS		
FINISH	SIZE	DWG. NO.	REV	
DO NOT SCALE DRAWING	<b>C</b>	<b>RAMS-2010-K</b>	<b>B</b>	
	SCALE: 1:1	SHEET 1 OF 1		