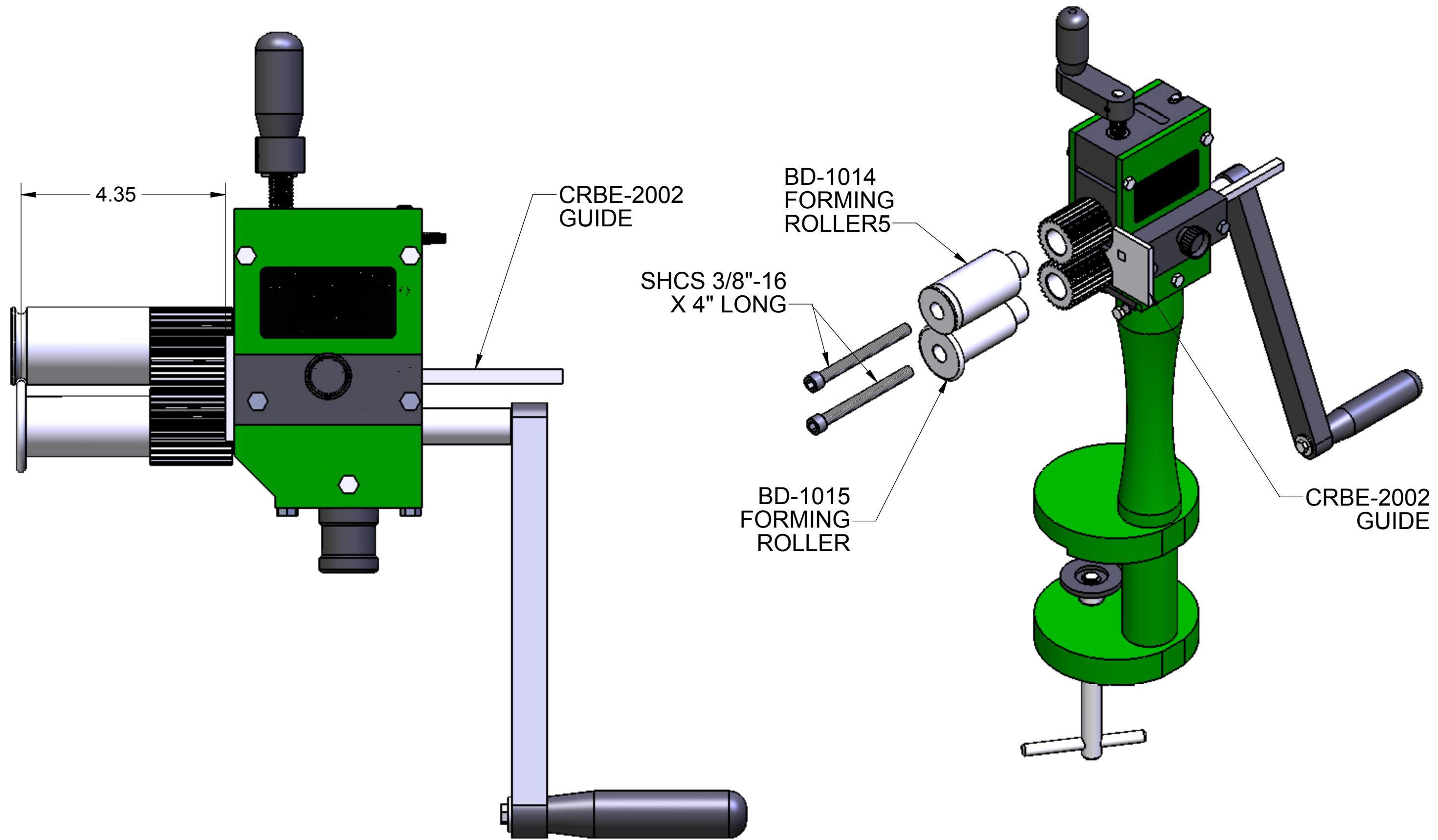


REV.	DESCRIPTION	DATE	APPROVED
A	CHANGE OGB TO BD FOR FORMING ROLLERS	1/25/2007	RAF



1/4" BEAD DIE KIT (USED WITH RAMS 2010 CRIMPER/BEADER)

- KIT INCLUDES THE ABOVE COMPONENTS:**
- (1) BD-1014 FORMING ROLLER**
 - (1) BD-1015 FORMING ROLLER**
 - (1) CRBE-2002 GUIDE**
 - (2) SHCS 3/8"-16 X 4**

RAMS-2010 CRIMPER/BEADER

DIMENSIONS ARE IN INCHES TOLERANCES: FRACTIONAL $\pm 1/16$ ANGULAR: MACH \pm BEND \pm TWO PLACE DECIMAL $\pm .01$ THREE PLACE DECIMAL $\pm .005$	DRAWN	CR	12-18-06	HORIZON SYSTEMS MACHINING 9121 58TH PLACE KENOSHA, WI 53144 PH: 262-605-1122 FAX: 262-605-1198
	CHECKED	SSL	12-17-08	
	ENG APPR.			
	MFG APPR.			
	Q.A.			
THE INFORMATION CONTAINED IN THIS DRAWING IS THE SOLE PROPERTY OF HORIZON SYSTEMS MACHINING. ANY REPRODUCTION IN PART OR AS A WHOLE WITHOUT THE WRITTEN PERMISSION OF HORIZON SYSTEMS MACHINING IS PROHIBITED.	MATERIAL			TITLE: RAMS-1/4" BEAD DIE KIT
	FINISH			SIZE DWG. NO. REV
				C RAMS-BD A
	DO NOT SCALE DRAWING	SCALE: 1:4	SHEET 1 OF 1	