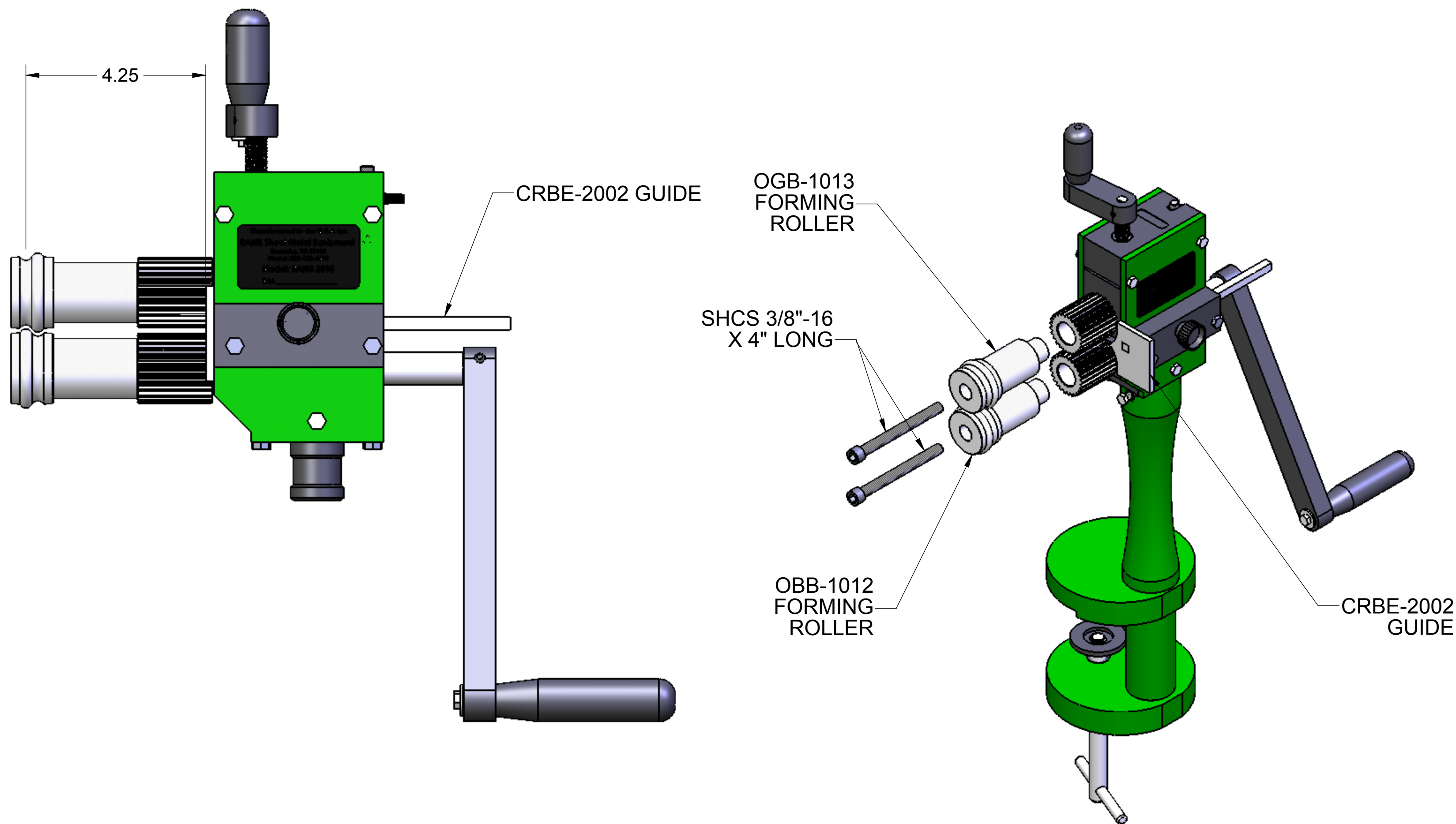


REVISIONS				
ZONE	REV.	DESCRIPTION	DATE	APPROVED
	A	INITIAL RELEASE	12/18/2006	CR



OGEE BEAD KIT WITH 4-1/4 THROAT DEPTH (USED WITH RAMS 2010 CRIMPER/BEADER)

KIT INCLUDES THE ABOVE COMPONENTS:

- (1) OGB-1012 FORMING ROLLER
- (1) OGB-1013 FORMING ROLLER
- (1) CRBE-2002 GUIDE
- (2) SHCS 3/8"-16 X 4

RAMS-2010 CRIMPER/BEADER

DIMENSIONS ARE IN INCHES TOLERANCES: FRACTIONAL $\pm 1/16$ ANGULAR: MACH \pm BEND \pm TWO PLACE DECIMAL $\pm .01$ THREE PLACE DECIMAL $\pm .005$		<table border="1"> <tr> <th>NAME</th> <th>DATE</th> </tr> <tr> <td>DRAWN CR</td> <td>12-18-06</td> </tr> <tr> <td>CHECKED SSL</td> <td>12-17-08</td> </tr> <tr> <td>ENG APPR.</td> <td></td> </tr> <tr> <td>MFG APPR.</td> <td></td> </tr> <tr> <td>Q.A.</td> <td></td> </tr> </table>	NAME	DATE	DRAWN CR	12-18-06	CHECKED SSL	12-17-08	ENG APPR.		MFG APPR.		Q.A.		HORIZON SYSTEMS MACHINING 9121 58TH PLACE KENOSHA, WI 53144 PH: 262-605-1122 FAX: 262-605-1198	
NAME	DATE															
DRAWN CR	12-18-06															
CHECKED SSL	12-17-08															
ENG APPR.																
MFG APPR.																
Q.A.																
THE INFORMATION CONTAINED IN THIS DRAWING IS THE SOLE PROPERTY OF HORIZON SYSTEMS MACHINING. ANY REPRODUCTION IN PART OR AS A WHOLE WITHOUT THE WRITTEN PERMISSION OF HORIZON SYSTEMS MACHINING IS PROHIBITED.		<table border="1"> <tr> <td colspan="2">TITLE: RAMS-OGEE BEAD KIT</td> </tr> <tr> <td>SIZE: C</td> <td>DWG. NO. RAMS-OGB</td> </tr> <tr> <td>DO NOT SCALE DRAWING</td> <td>SCALE: 1:4</td> </tr> </table>		TITLE: RAMS-OGEE BEAD KIT		SIZE: C	DWG. NO. RAMS-OGB	DO NOT SCALE DRAWING	SCALE: 1:4							
TITLE: RAMS-OGEE BEAD KIT																
SIZE: C	DWG. NO. RAMS-OGB															
DO NOT SCALE DRAWING	SCALE: 1:4															
		REV: A	SHEET 1 OF 1													